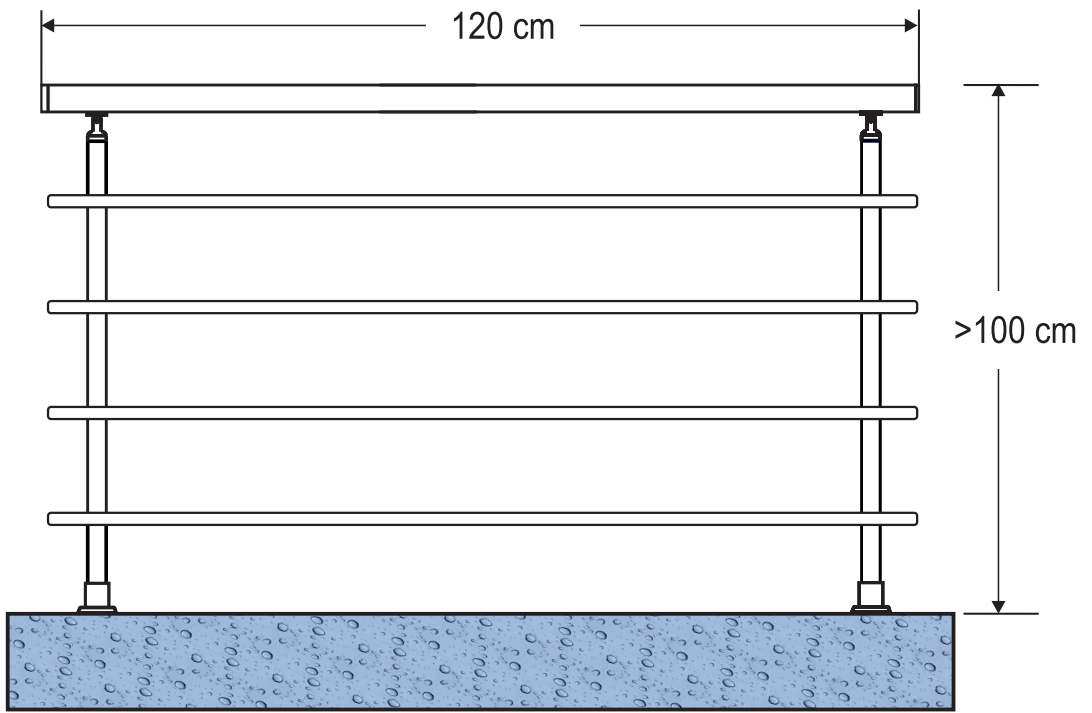


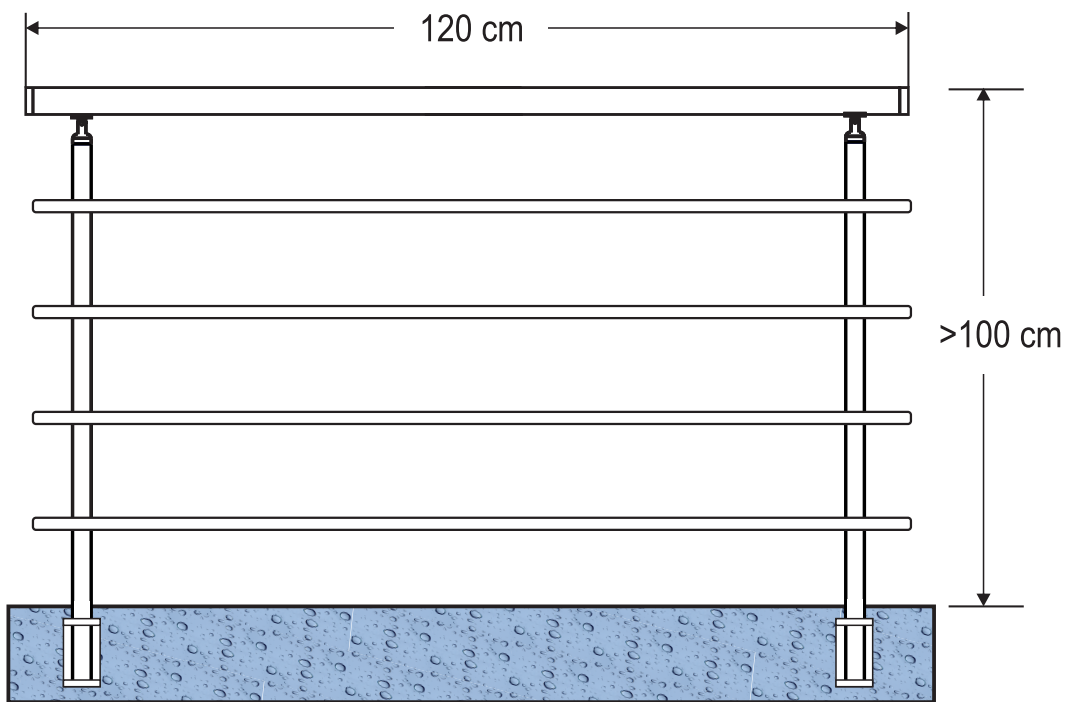


A



Video 
↪ www.sogem-sa.com

B



**GOMERA / TAMBORA / KALEA / AUVERGNE
GARDE-CORPS ALUMINIUM 120 cm**

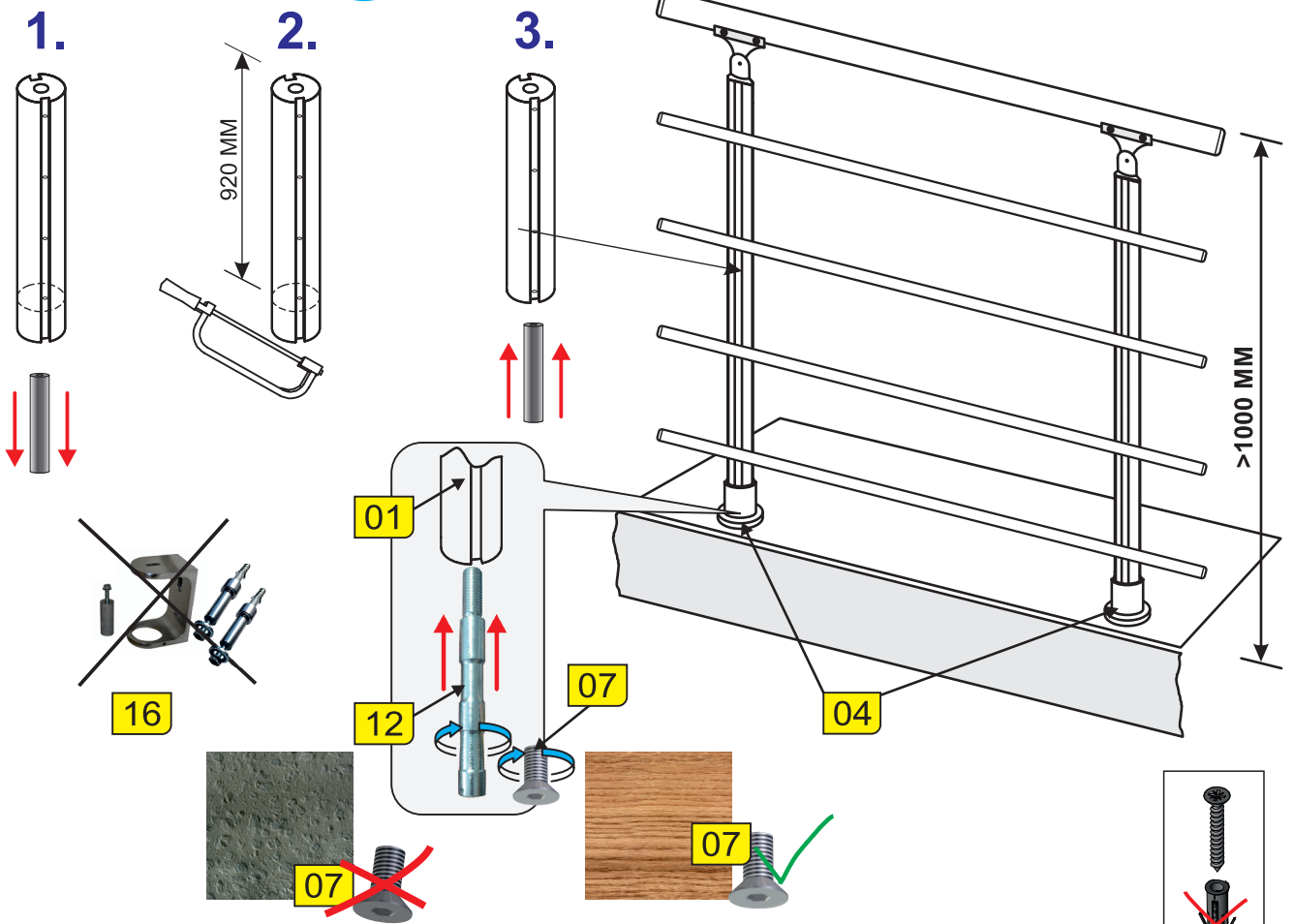
SOGEM Group
www.sogem-sa.com



<p>01 AA040040109</p> <p>$\varnothing 20$ 150 mm M12</p> <p>$\varnothing 40 \times 1090 \text{ mm}$ =2</p>	<p>02 AA012007109</p> <p>$12 \times 7 \times 1090 \text{ mm}$ =4</p>	<p>03 AA050040070</p> <p>$50 \times 40 \times 70 \text{ mm}$ =2</p>	<p>04 AA072072070</p> <p>$\varnothing 72,5 \times \varnothing 40,5 \times 70 \text{ mm}$ =2</p>
<p>05 AA072072012</p> <p>$\varnothing 74,5 \times \varnothing 46,5 \times 12 \text{ mm}$ =2</p>	<p>06 AA040040120</p> <p>$\varnothing 40$ 2.5 $\varnothing 35$</p> <p>$\varnothing 40 \times 1200 \text{ mm}$ =1</p>	<p>07 AA012012040</p> <p>$M12 \times 40 \text{ mm}$ =2</p>	<p>08 AA040040014</p> <p>$\varnothing 40 \times 14 \text{ mm}$ =2</p>
<p>09</p>	<p>10 AA016016120</p> <p>$\varnothing 16$</p> <p>$\varnothing 16 \times 1200 \text{ mm}$ =4</p>	<p>11</p>	<p>12 OG016016131</p> <p>M12</p> <p>$\varnothing 16 \times 131 \text{ mm}$ =2</p>
<p>13 OG005005050 PA008008035</p> <p>$\varnothing 5 \times 50 \text{ mm}$ =4 $\varnothing 8 \times 35 \text{ mm}$ =4</p>	<p>14 AA016016012</p> <p>$\varnothing 16 \times 12 \text{ mm}$ =8</p>	<p>15 AA040040020</p> <p>$\varnothing 40 \times 20 \text{ mm}$ =2</p>	<p>16 AA055076110</p> <p>M12 MIN20...MAX75</p> <p>$55 \times 76 \times 110 \text{ mm}$ =2</p>
<p>17 OG004004018</p> <p>$\varnothing 4,2 \times 13 \text{ mm}$ =16+1</p>	<p>18 OG004004045</p> <p>$\varnothing 4,2 \times 45 \text{ mm}$ =8+1</p>	<p>19 OG006006070 PA010010060</p> <p>$\varnothing 6 \times 70 \text{ mm}$ =8 $\varnothing 10 \times 60 \text{ mm}$ =8</p>	<p>20 PR040099023</p> <p>GLUE</p> <p>$40 \times 99 \times 23 \text{ mm}$ =1</p>



A



B

